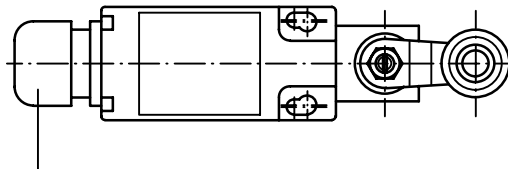


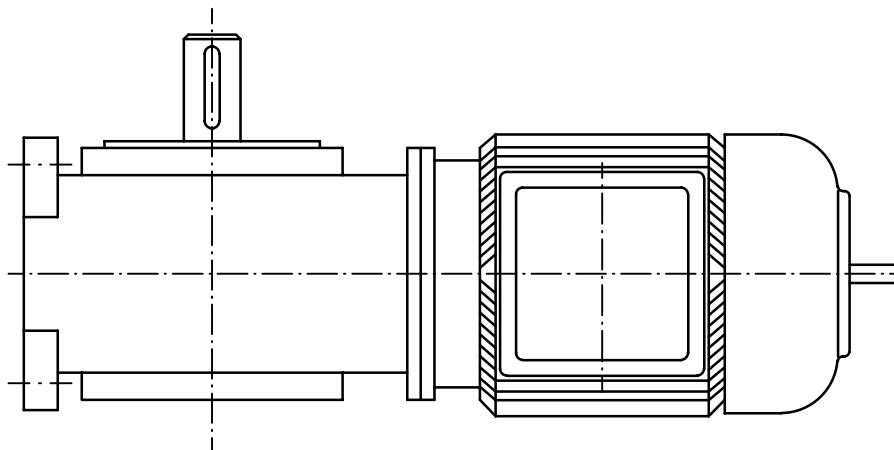
Limit-switch make Bernstein
type I-SU1Z AH



PG 11 screwed connection

Nominal current	max. 500V, AC
Drawing of current	max. 10 A
Switch contact	1 x opener
Switch contact	1 x closer
Protective-system	IP 65
Range of temperature	-30 up to +80°C

Gear-motor make Bauer



Safety advice DIN 34

Gear-motor type	BS06 81/D06 LA4-ZW
Nominal current	Y 380-420V/440-480V, 50/60Hz
Capacity	0,25 kW
Drawing of current	1,10 A
Torque	61 Nm
Output speed	28/min.
Motorspeed	1350 U/min.
Type	V 2
Isolation-class	B
Protective-system-motor	IP 65
Protective-system-terminal-box	IP 65
max. ambient temperature	-25 up to +40°C

Denomination

Technical dimension-sheet
electrical drive for outlet-gate

Date	28.01.2003	
Drawing-No.	TD/S/E	Index
		1