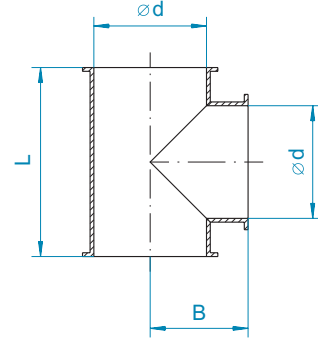


T-Stücke  
T-pieces  
Pièces en T



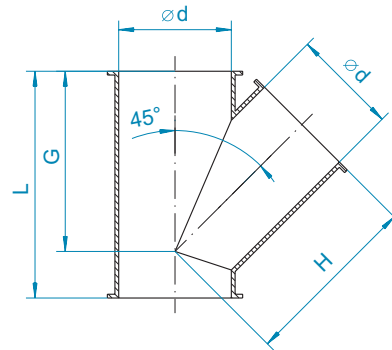
Abmessungen für 1,5 mm Rohrteile  
Dimensions for 1,5 mm piping  
Dimensions pour tuyauterie en épaisseur 1,5 mm

| DN     | Ø d | A | B     | C | G | H | L   | kg    |
|--------|-----|---|-------|---|---|---|-----|-------|
| 90° 60 | 57  | - | 60    | - | - | - | 130 | 0,55  |
| 80     | 77  | - | 70    | - | - | - | 150 | 0,60  |
| 100    | 100 | - | 100   | - | - | - | 200 | 1,00  |
| 120    | 120 | - | 110   | - | - | - | 220 | 1,20  |
| 140    | 136 | - | 120   | - | - | - | 240 | 1,40  |
| 150    | 150 | - | 125   | - | - | - | 250 | 1,65  |
| 175    | 175 | - | 137,5 | - | - | - | 275 | 2,05  |
| 200    | 200 | - | 150   | - | - | - | 300 | 2,55  |
| 224    | 220 | - | 162,5 | - | - | - | 325 | 2,90  |
| 250    | 250 | - | 175   | - | - | - | 350 | 3,50  |
| 280    | 277 | - | 190   | - | - | - | 380 | 4,30  |
| 300    | 300 | - | 200   | - | - | - | 400 | 4,70  |
| 315    | 312 | - | 210   | - | - | - | 420 | 5,30  |
| 350    | 350 | - | 275   | - | - | - | 550 | 8,10  |
| 400    | 399 | - | 300   | - | - | - | 600 | 9,90  |
| 450    | 449 | - | 325   | - | - | - | 650 | 12,75 |
| 500    | 499 | - | 350   | - | - | - | 700 | 14,10 |
| 560    | 559 | - | 380   | - | - | - | 760 | 22,15 |
| 630    | 629 | - | 415   | - | - | - | 830 | 26,80 |

Gabelstücke 45°

Forks 45°

Culottes droites 45°



Abmessungen für 1,5 mm (DN 60–350)/2 mm Rohrteile (≥ DN 350)  
Dimensions for 1,5 mm piping (DN 60–350) / 2 mm piping (≥ DN 350)  
Dimensions pour tuyauterie en épaisseur 1,5 mm (DN 60–350) / 2 mm (≥ DN 350)

| DN     | Ø d | A | B | C | G   | H   | L    | kg    |
|--------|-----|---|---|---|-----|-----|------|-------|
| 45° 60 | 57  | - | - | - | 115 | 115 | 145  | 0,50  |
| 80     | 77  | - | - | - | 123 | 137 | 160  | 0,75  |
| 100    | 100 | - | - | - | 177 | 176 | 215  | 1,15  |
| 120    | 120 | - | - | - | 187 | 185 | 240  | 1,20  |
| 140    | 136 | - | - | - | 216 | 219 | 280  | 1,60  |
| 150    | 150 | - | - | - | 234 | 231 | 300  | 2,10  |
| 175    | 175 | - | - | - | 269 | 266 | 340  | 2,20  |
| 200    | 200 | - | - | - | 309 | 306 | 390  | 4,10  |
| 224    | 220 | - | - | - | 334 | 336 | 420  | 5,70  |
| 250    | 250 | - | - | - | 358 | 352 | 450  | 5,40  |
| 280    | 277 | - | - | - | 400 | 400 | 500  | 6,90  |
| 300    | 300 | - | - | - | 418 | 412 | 520  | 7,80  |
| 315    | 312 | - | - | - | 450 | 450 | 560  | 8,70  |
| 350    | 349 | - | - | - | 498 | 472 | 615  | 15,00 |
| 400    | 398 | - | - | - | 557 | 533 | 685  | 17,75 |
| 450    | 448 | - | - | - | 662 | 623 | 800  | 22,80 |
| 500    | 498 | - | - | - | 701 | 674 | 850  | 27,20 |
| 560    | 558 | - | - | - | 789 | 786 | 950  | 38,00 |
| 630    | 628 | - | - | - | 885 | 890 | 1060 | 48,00 |

| DN  | 1,5 mm pulverbeschichtet<br>1,5 mm powder-coated<br>1,5 mm thermolaquage |     | 2 mm pulverbeschichtet<br>2 mm powder-coated<br>2 mm thermolaquage |     | 3 mm pulverbeschichtet<br>3 mm powder-coated<br>3 mm thermolaquage |     | 1,5 mm verzinkt<br>1,5 mm galvanized<br>1,5 mm galvanisé |     | 2 mm verzinkt<br>2 mm galvanized<br>2 mm galvanisé |     | 1,5 mm Chromnickelstahl<br>1,5 mm stainless steel<br>1,5 mm acier inoxydable |          | 2 mm Chromnickelstahl<br>2 mm stainless steel<br>2 mm acier inoxydable |          |
|-----|--|-----|--|-----|--|-----|--|-----|--|-----|--|----------|--|----------|
|     | Nr.  | Nr. | Nr.  | Nr. | Nr.  | Nr. | Nr.  | Nr. | Nr.  | Nr. | Nr.  | Nr.      | Nr.  | Nr.      |
| 60  | 11061240   | -   | -  | -   | -  | -   | 11062240   | -   | -  | -   | -  | 11063240 | -  | -        |
| 80  | 11081240   | -   | -  | -   | -  | -   | 11082240   | -   | -  | -   | -  | 11083240 | -  | -        |
| 100 | 11101240   | -   | -  | -   | -  | -   | 11102240   | -   | -  | -   | -  | 11103240 | 12103240   | -        |
| 120 | 11121240   | -   | -  | -   | -  | -   | 11122240   | -   | -  | -   | -  | 11123240 | 12123240   | -        |
| 140 | 11141240   | -   | -  | -   | -  | -   | 11142240   | -   | -  | -   | -  | 11143240 | -  | -        |
| 150 | 11151240   | -   | -  | -   | -  | -   | 11152240   | -   | -  | -   | -  | 11153240 | 12153240   | -        |
| 175 | 11171240   | -   | -  | -   | -  | -   | 11172240   | -   | -  | -   | -  | 11173240 | 12173240   | -        |
| 200 | 11201240   | -   | -  | -   | -  | -   | 11202240   | -   | -  | -   | -  | 11203240 | 12203240   | -        |
| 224 | 11221240   | -   | -  | -   | -  | -   | 11222240   | -   | -  | -   | -  | 11223240 | -  | -        |
| 250 | 11251240   | -   | -  | -   | -  | -   | 11252240   | -   | -  | -   | -  | 11253240 | 12253240   | -        |
| 280 | 11281240   | -   | -  | -   | -  | -   | 11282240   | -   | -  | -   | -  | 11283240 | -  | -        |
| 300 | 11301240   | -   | -  | -   | -  | -   | 11302240   | -   | -  | -   | -  | 11303240 | 12303240   | -        |
| 315 | 11311240   | -   | -  | -   | -  | -   | 11312240   | -   | -  | -   | -  | 11313240 | -  | -        |
| 350 | 11351240   | -   | -  | -   | -  | -   | 11352240   | -   | -  | -   | -  | 11353240 | 12353240   | -        |
| 400 | 11401240   | -   | -  | -   | -  | -   | 11402240   | -   | -  | -   | -  | 11403240 | 12403240   | -        |
| 450 | 11451240   | -   | -  | -   | -  | -   | 11452240   | -   | -  | -   | -  | 11453240 | 12453240   | -        |
| 500 | 11501240   | -   | -  | -   | -  | -   | 11502240   | -   | -  | -   | -  | 11503240 | 12503240   | -        |
| 560 | -  | -   | 12561240   | -   | -  | -   | -  | -   | 12562240   | -   | -  | -        | -  | 12563240 |
| 630 | -  | -   | 12631240   | -   | -  | -   | -  | -   | 12632240   | -   | -  | -        | -  | 12633240 |

1070

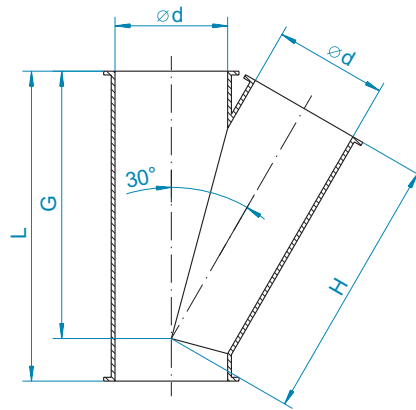
| DN  | 1,5 mm pulverbeschichtet<br>1,5 mm powder-coated<br>1,5 mm thermolaquage |     | 2 mm pulverbeschichtet<br>2 mm powder-coated<br>2 mm thermolaquage |     | 3 mm pulverbeschichtet<br>3 mm powder-coated<br>3 mm thermolaquage |     | 1,5 mm verzinkt<br>1,5 mm galvanized<br>1,5 mm galvanisé |     | 2 mm verzinkt<br>2 mm galvanized<br>2 mm galvanisé |          | 1 mm Chromnickelstahl<br>1 mm stainless steel<br>1 mm acier inoxydable |          | 2 mm Chromnickelstahl<br>2 mm stainless steel<br>2 mm acier inoxydable |          |
|-----|--|-----|--|-----|--|-----|--|-----|--|----------|--|----------|--|----------|
|     | Nr.  | Nr. | Nr.  | Nr. | Nr.  | Nr. | Nr.  | Nr. | Nr.  | Nr.      | Nr.  | Nr.      | Nr.  | Nr.      |
| 60  | 11061220   | -   | -  | -   | -  | -   | 11062220   | -   | -  | -        | -  | 11063220 | *  | -        |
| 80  | 11081220   | -   | -  | -   | -  | -   | 11082220   | -   | -  | -        | -  | 11083220 | -  | -        |
| 100 | 11101220   | -   | -  | -   | -  | -   | 11102220   | -   | -  | 12102220 | -  | 11103220 | -  | 12103220 |
| 120 | 11121220   | -   | 12121220   | -   | 13121220   | -   | 11122220   | -   | -  | 12122220 | -  | 11123220 | -  | 12123220 |
| 140 | 11141220   | -   | 12141220   | -   | 13141220   | -   | 11142220   | -   | -  | 12142220 | -  | 11143220 | -  | 12143220 |
| 150 | 11151220   | -   | 12151220   | -   | 13151220   | -   | 11152220   | -   | -  | 12152220 | -  | 11153220 | -  | 12153220 |
| 175 | 11171220   | -   | 12171220   | -   | 13171220   | -   | 11172220   | -   | -  | 12172220 | -  | 11173220 | -  | 12173220 |
| 200 | 11201220   | -   | 12201220   | -   | 13201220   | -   | 11202220   | -   | -  | 12202220 | -  | 11203220 | -  | 12203220 |
| 224 | 11221220   | -   | 12221220   | -   | 13221220   | -   | 11222220   | -   | -  | 12222220 | -  | 11223220 | -  | 12223220 |
| 250 | 11251220   | -   | 12251220   | -   | 13251220   | -   | 11252220   | -   | -  | 12252220 | -  | 11253220 | -  | 12253220 |
| 280 | 11281220   | -   | -  | -   | -  | -   | 11282220   | -   | -  | -        | -  | 11283220 | *  | -        |
| 300 | 11301220   | -   | 12301220   | -   | 13301220   | -   | 11302220   | -   | -  | 12302220 | -  | 11303220 | -  | 12303220 |
| 315 | 11311220   | -   | -  | -   | -  | -   | 11312220   | -   | -  | -        | -  | 11313220 | *  | -        |
| 350 | 11351220   | -   | 12351220   | -   | 13351220   | -   | 11352220   | -   | -  | -        | -  | 11353220 | *  | 12353220 |
| 400 | 11401220   | -   | 12401220   | -   | 13401220   | -   | 11402220   | -   | -  | -        | -  | 11403220 | *  | 12403220 |
| 450 | 11451220   | -   | 12451220   | -   | 13451220   | -   | 11452220   | -   | -  | -        | -  | 11453220 | *  | 12453220 |
| 500 | 11501220   | -   | 12501220   | -   | 13501220   | -   | 11502220   | -   | -  | -        | -  | 11503220 | *  | 12503220 |
| 560 | -  | -   | 12561220   | -   | 13561220   | -   | 11562220   | -   | -  | -        | -  | -        | -  | 12563220 |
| 630 | -  | -   | 12631220   | -   | 13631220   | -   | 11632220   | -   | -  | -        | -  | -        | -  | 12633220 |

\* 1,5 mm

1050

geprüft bis 3 bar explosionsdruckstoffest  
tested up to 3 bar shock explosion proof  
résistance à la surpression jusqu'à 3 bar vérifiée

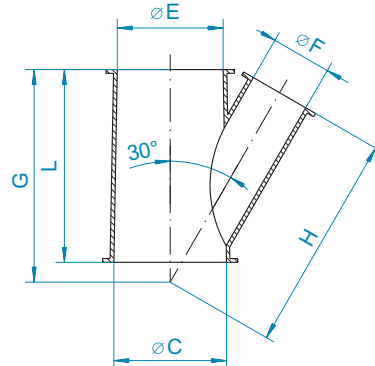
Gabelstücke 30°  
Forks 30°  
Culottes droites 30°



Abmessungen für 1,5 mm (DN 60–350)/2 mm Rohrteile (≥ DN 350)  
Dimensions for 1,5 mm piping (DN 60–350) / 2 mm piping (≥ DN 350)  
Dimensions pour tuyauterie en épaisseurs 1,5 mm (DN 60–350) / 2 mm (≥ DN 350)

| DN     | ø d | A | B | C | G    | H    | L    | kg    |
|--------|-----|---|---|---|------|------|------|-------|
| 30° 60 | 57  | - | - | - | 170  | 170  | 200  | 0,70  |
| 80     | 77  | - | - | - | 209  | 216  | 240  | 1,10  |
| 100    | 99  | - | - | - | 262  | 248  | 300  | 1,30  |
| 120    | 120 | - | - | - | 299  | 296  | 340  | 2,40  |
| 140    | 136 | - | - | - | 336  | 334  | 390  | 3,00  |
| 150    | 150 | - | - | - | 355  | 350  | 410  | 3,05  |
| 175    | 175 | - | - | - | 392  | 383  | 450  | 4,00  |
| 200    | 200 | - | - | - | 463  | 457  | 530  | 5,60  |
| 224    | 224 | - | - | - | 510  | 510  | 580  | 7,00  |
| 250    | 250 | - | - | - | 547  | 544  | 620  | 7,80  |
| 280    | 277 | - | - | - | 610  | 610  | 690  | 10,00 |
| 300    | 300 | - | - | - | 640  | 640  | 720  | 11,00 |
| 315    | 312 | - | - | - | 690  | 690  | 780  | 12,70 |
| 350    | 349 | - | - | - | 728  | 717  | 820  | 18,60 |
| 400    | 398 | - | - | - | 826  | 825  | 925  | 25,40 |
| 450    | 448 | - | - | - | 945  | 930  | 1050 | 31,40 |
| 500    | 498 | - | - | - | 1038 | 1027 | 1150 | 38,40 |
| 560    | 558 | - | - | - | 1180 | 1175 | 1300 | 54,00 |
| 630    | 628 | - | - | - | 1301 | 1304 | 1430 | 64,00 |

Konische Gabelstücke 30°  
Conical forks 30°  
Culottes coniques 30°



Abmessungen für 1,5 mm Rohrteile  
Dimensions for 1,5 mm piping  
Dimensions pour tuyauterie en épaisseur 1,5 mm

| DN          | C   | E   | F   | G   | H   | L   | kg   |
|-------------|-----|-----|-----|-----|-----|-----|------|
| 60-60-60    | 57  | 57  | 57  | 170 | 170 | 200 | 0,80 |
| 80-60-60    | 77  | 57  | 57  | 170 | 170 | 200 | 0,95 |
| 80-80-80    | 77  | 77  | 77  | 209 | 216 | 240 | 1,32 |
| 100-80-80   | 100 | 77  | 77  | 237 | 236 | 250 | 1,25 |
| 100-100-80  | 100 | 100 | 77  | 239 | 248 | 250 | 1,35 |
| 100-100-100 | 100 | 100 | 100 | 262 | 248 | 300 | 1,70 |
| 120-80-80   | 120 | 77  | 77  | 258 | 259 | 255 | 1,35 |
| 120-100-80  | 120 | 100 | 77  | 260 | 261 | 255 | 1,45 |
| 120-100-100 | 120 | 100 | 100 | 267 | 267 | 290 | 1,75 |
| 120-120-80  | 120 | 120 | 77  | 256 | 258 | 250 | 1,50 |
| 120-120-120 | 120 | 120 | 120 | 299 | 296 | 340 | 2,20 |
| 140-100-100 | 136 | 100 | 100 | 290 | 292 | 300 | 1,95 |
| 140-120-80  | 136 | 120 | 77  | 274 | 278 | 255 | 1,65 |
| 140-120-100 | 136 | 120 | 100 | 291 | 293 | 300 | 2,00 |
| 140-140-80  | 136 | 136 | 77  | 275 | 284 | 255 | 1,70 |
| 140-140-140 | 136 | 136 | 136 | 336 | 334 | 390 | 2,80 |
| 150-100-100 | 150 | 100 | 100 | 291 | 294 | 290 | 2,10 |
| 150-120-100 | 150 | 120 | 100 | 293 | 296 | 290 | 2,05 |
| 150-120-120 | 150 | 120 | 120 | 323 | 324 | 340 | 2,45 |
| 150-140-80  | 150 | 136 | 77  | 286 | 292 | 255 | 1,75 |
| 150-150-80  | 150 | 150 | 77  | 282 | 288 | 250 | 1,85 |
| 150-150-150 | 150 | 150 | 150 | 355 | 350 | 410 | 3,05 |
| 175-120-120 | 175 | 120 | 120 | 343 | 347 | 340 | 2,70 |
| 175-140-120 | 175 | 136 | 120 | 344 | 348 | 340 | 2,70 |
| 175-150-80  | 175 | 150 | 77  | 302 | 311 | 250 | 1,90 |
| 175-150-100 | 175 | 150 | 100 | 315 | 321 | 290 | 2,40 |
| 175-150-120 | 175 | 150 | 120 | 345 | 349 | 340 | 2,80 |
| 175-150-150 | 175 | 150 | 150 | 375 | 373 | 410 | 3,80 |
| 175-175-175 | 175 | 175 | 175 | 392 | 383 | 450 | 4,00 |

Auf Anfrage auch in 45° lieferbar.  
On request also available in 45°.  
Livrablé aussi en 45° sur demande.

Durchmesser C, E, F = lichte Weite bei 1,5 mm Wandstärke  
Diameter C, E, F = clear width at a wall thickness of 1,5 mm  
Diamètre C, E, F = largeur intérieure en cas d'épaisseur de 1,5 mm

Andere Durchmesserkombinationen auf Anfrage.  
Preise für konische Gabelstücke 30° 2 + 3 mm auf Anfrage.

Other combinations of diameter available on request.  
Prices for conical forks 30° 2 + 3 mm on request.

Autres combinaisons de diamètres sur demande.  
Prix pour culottes coniques 30° 2 + 3 mm sur demande.

geprüft bis 3 bar explosionsdruckstoßfest  
tested up to 3 bar shock explosion proof  
résistance à la surpression jusqu'à 3 bar vérifiée

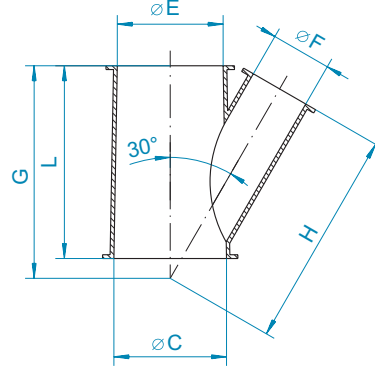
| DN  | 1,5 mm pulverbeschichtet<br>1,5 mm powder-coated<br>1,5 mm thermolaquage |   | 2 mm pulverbeschichtet<br>2 mm powder-coated<br>2 mm thermolaquage |   | 3 mm pulverbeschichtet<br>3 mm powder-coated<br>3 mm thermolaquage |   | 1,5 mm verzinkt<br>1,5 mm galvanizé |  | 2 mm verzinkt<br>2 mm galvanizé |   | 1 mm Chromnickelstahl<br>1 mm stainless steel<br>1 mm acier inoxydable |   | 2 mm Chromnickelstahl<br>2 mm stainless steel<br>2 mm acier inoxydable |   |
|-----|--|---|--|---|--|---|-------------------------------------|--|---------------------------------|---|--|---|--|---|
|     | Nr.  |   | Nr.  |   | Nr.  |   | Nr.                                 |  | Nr.                             |   | Nr.  |   | Nr.  |   |
| 60  | 11061230   |   | -  | - | -  | - | 11062230                            |  | -                               | - | 11063230   | * | -  | - |
| 80  | 11081230   |   | -  | - | -  | - | 11082230                            |  | -                               | - | 11083230   |   | -  | - |
| 100 | 11101230   |   | 12101230   |   | -  | - | 11102230                            |  | 12102230                        |   | 11103230   |   | 12103230   |   |
| 120 | 11121230   |   | 12121230   |   | 13121230   |   | 11122230                            |  | 12122230                        |   | 11123230   |   | 12123230   |   |
| 140 | 11141230   |   | -  | - | -  | - | 11142230                            |  | 12142230                        |   | 11143230   |   | -  | - |
| 150 | 11151230   |   | 12151230   |   | 13151230   |   | 11152230                            |  | 12152230                        |   | 11153230   |   | 12153230   |   |
| 175 | 11171230   |   | 12171230   |   | 13171230   |   | 11172230                            |  | 12172230                        |   | 11173230   |   | 12173230   |   |
| 200 | 11201230   |   | 12201230   |   | 13201230   |   | 11202230                            |  | 12202230                        |   | 11203230   |   | 12203230   |   |
| 224 | 11221230   |   | -  | - | -  | - | 11222230                            |  | 12222230                        |   | 11223230   |   | -  | - |
| 250 | 11251230   |   | 12251230   |   | 13251230   |   | 11252230                            |  | 12252230                        |   | 11253230   |   | 12253230   |   |
| 280 | 11281230   |   | -  | - | -  | - | 11282230                            |  | -                               | - | 11283230   | * | -  | - |
| 300 | 11301230   |   | 12301230   |   | 13301230   |   | 11302230                            |  | 12302230                        |   | 11303230   |   | 12303230   |   |
| 315 | 11311230   |   | -  | - | -  | - | 11312230                            |  | -                               | - | 11313230   | * | -  | - |
| 350 | 11351230   |   | 12351230   |   | 13351230   |   | 11352230                            |  | -                               | - | 11353230   | * | 12353230   |   |
| 400 | 11401230   |   | 12401230   |   | 13401230   |   | 11402230                            |  | -                               | - | 11403230   | * | 12403230   |   |
| 450 | 11451230   |   | 12451230   |   | 13451230   |   | 11452230                            |  | -                               | - | 11453230   | * | 12453230   |   |
| 500 | 11501230   |   | 12501230   |   | 13501230   |   | 11502230                            |  | -                               | - | 11503230   | * | 12503230   |   |
| 560 | -  | - | 12561230   |   | 13561230   |   | 11562230                            |  | -                               | - | -  | - | 12563230   |   |
| 630 | -  | - | 12631230   |   | 13631230   |   | 11632230                            |  | -                               | - | -  | - | 12633230   |   |

\* 1,5 mm 1060

| DN          | 1,5 mm pulverbeschichtet<br>1,5 mm powder-coated<br>1,5 mm thermolaquage |  | 2 mm pulverbeschichtet<br>2 mm powder-coated<br>2 mm thermolaquage |   | 3 mm pulverbeschichtet<br>3 mm powder-coated<br>3 mm thermolaquage |   | 1,5 mm verzinkt<br>1,5 mm galvanizé |  | 1 mm Chromnickelstahl<br>1 mm stainless steel<br>1 mm acier inoxydable |   | 2 mm Chromnickelstahl<br>2 mm stainless steel<br>2 mm acier inoxydable |   |
|-------------|--|--|--|---|--|---|-------------------------------------|--|--|---|--|---|
|             | Nr.  |  | Nr.  |   | Nr.  |   | Nr.                                 |  | Nr.  |   | Nr.  |   |
| 60-60-60    | 11061230   |  | -  | - | -  | - | 11062230                            |  | 11063230   | * | -  | - |
| 80-60-60    | 11081255   |  | -  | - | -  | - | 11082255                            |  | 11083255   | * | -  | - |
| 80-80-80    | 11081230   |  | -  | - | -  | - | 11082230                            |  | 11083230   |   | -  | - |
| 100-80-80   | 11101255   |  | -  | - | -  | - | 11102255                            |  | 11103255   |   | 12103255   |   |
| 100-100-80  | 11101258   |  | -  | - | -  | - | 11102258                            |  | 11103258   |   | 12103258   |   |
| 100-100-100 | 11101230   |  | 12101230   |   | -  | - | 11102230                            |  | 11103230   |   | 12103230   |   |
| 120-80-80   | 11121286   |  | -  | - | -  | - | 11122286                            |  | 11123286   |   | 12123286   |   |
| 120-100-80  | 11121257   |  | -  | - | -  | - | 11122257                            |  | 11123257   |   | 12123257   |   |
| 120-100-100 | 11121255   |  | -  | - | -  | - | 11122255                            |  | 11123255   |   | 12123255   |   |
| 120-120-80  | 11121258   |  | -  | - | -  | - | 11122258                            |  | 11123258   |   | 12123258   |   |
| 120-120-120 | 11121230   |  | 12121230   |   | 13121230   |   | 11122230                            |  | 11123230   |   | 12123230   |   |
| 140-100-100 | 11141255   |  | -  | - | -  | - | 11142255                            |  | 11143255   |   | 12143255   |   |
| 140-120-80  | 11141257   |  | -  | - | -  | - | 11142257                            |  | 11143257   |   | 12143257   |   |
| 140-120-100 | 11141256   |  | -  | - | -  | - | 11142256                            |  | 11143256   |   | 12143256   |   |
| 140-140-80  | 11141258   |  | -  | - | -  | - | 11142258                            |  | 11143258   |   | 12143258   |   |
| 140-140-140 | 11141230   |  | -  | - | -  | - | 11142230                            |  | 11143230   |   | -  | - |
| 150-100-100 | 11151254   |  | -  | - | -  | - | 11152254                            |  | 11153254   |   | -  | - |
| 150-120-100 | 11151256   |  | -  | - | -  | - | 11152256                            |  | 11153256   |   | 12153256   |   |
| 150-120-120 | 11151255   |  | -  | - | -  | - | 11152255                            |  | 11153255   |   | 12153255   |   |
| 150-140-80  | 11151287   |  | -  | - | -  | - | 11152287                            |  | 11153287   |   | 12153287   |   |
| 150-150-80  | 11151258   |  | -  | - | -  | - | 11152258                            |  | 11153258   |   | 12153258   |   |
| 150-150-150 | 11151230   |  | 12151230   |   | 13151230   |   | 11152230                            |  | 11153230   |   | 12153230   |   |
| 175-120-120 | 11171285   |  | -  | - | -  | - | 11172285                            |  | 11173285   |   | 12173285   |   |
| 175-140-120 | 11171286   |  | -  | - | -  | - | 11172286                            |  | 11173286   |   | 12173286   |   |
| 175-150-80  | 11171258   |  | -  | - | -  | - | 11172258                            |  | 11173258   |   | 12173258   |   |
| 175-150-100 | 11171257   |  | -  | - | -  | - | 11172257                            |  | 11173257   |   | 12173257   |   |
| 175-150-120 | 11171256   |  | -  | - | -  | - | 11172256                            |  | 11173256   |   | 12173256   |   |
| 175-150-150 | 11171255   |  | -  | - | -  | - | 11172255                            |  | 11173255   |   | 12173255   |   |
| 175-175-175 | 11171230   |  | 12171230   |   | 13171230   |   | 11172230                            |  | 11173230   |   | 12173230   |   |

\* 1,5 mm 1080

**Konische Gabelstücke 30°**  
**Conical forks 30°**  
**Culottes coniques 30°**



Auf Anfrage auch in 45° lieferbar.  
On request also available in 45°.  
Livable aussi en 45° sur demande.

Durchmesser C, E, F = lichte Weite bei 1,5 mm Wandstärke  
Diameter C, E, F = clear width at a wall thickness of 1.5 mm  
Diamètre C, E, F = largeur intérieure en cas d'épaisseur de 1,5 mm

Andere Durchmesserkombinationen auf Anfrage.  
Preise für konische Gabelstücke 30° 2 + 3 mm auf Anfrage.

Other combinations of diameter available on request.  
Prices for conical forks 30° 2 + 3 mm on request.

Autres combinaisons de diamètres sur demande.  
Prix pour culottes coniques 30° 2 + 3 mm sur demande.

Abmessungen für 1,5 mm Rohrteile  
Dimensions for 1.5 mm piping  
Dimensions pour tuyauterie en épaisseur 1,5 mm

| DN          | C   | E   | F   | G    | H    | L    | kg    |
|-------------|-----|-----|-----|------|------|------|-------|
| 200-140-140 | 200 | 136 | 136 | 387  | 401  | 390  | 3,60  |
| 200-150-120 | 200 | 150 | 120 | 365  | 373  | 340  | 2,70  |
| 200-150-150 | 200 | 150 | 150 | 395  | 396  | 410  | 5,00  |
| 200-175-100 | 200 | 175 | 100 | 336  | 346  | 290  | 2,70  |
| 200-175-120 | 200 | 175 | 120 | 366  | 374  | 340  | 3,10  |
| 200-175-150 | 200 | 175 | 150 | 396  | 398  | 410  | 4,10  |
| 200-200-80  | 200 | 200 | 77  | 330  | 348  | 255  | 2,50  |
| 200-200-100 | 200 | 200 | 100 | 348  | 358  | 300  | 3,00  |
| 200-200-200 | 200 | 200 | 200 | 463  | 457  | 530  | 5,60  |
| 224-150-150 | 220 | 150 | 150 | 410  | 424  | 410  | 4,00  |
| 224-175-140 | 220 | 175 | 136 | 406  | 423  | 390  | 4,00  |
| 224-200-100 | 220 | 200 | 100 | 364  | 377  | 300  | 3,00  |
| 224-200-120 | 220 | 200 | 120 | 384  | 395  | 340  | 3,30  |
| 224-224-224 | 220 | 220 | 220 | 510  | 510  | 580  | 6,90  |
| 250-200-150 | 250 | 200 | 150 | 438  | 446  | 410  | 4,60  |
| 250-200-175 | 250 | 200 | 175 | 453  | 455  | 450  | 5,80  |
| 250-200-200 | 250 | 200 | 200 | 503  | 513  | 530  | 6,10  |
| 250-224-120 | 250 | 220 | 120 | 409  | 424  | 340  | 4,20  |
| 250-224-140 | 250 | 220 | 136 | 433  | 455  | 390  | 4,40  |
| 250-250-80  | 250 | 250 | 77  | 374  | 398  | 255  | 2,90  |
| 250-250-100 | 250 | 250 | 100 | 392  | 409  | 300  | 3,50  |
| 250-250-250 | 250 | 250 | 250 | 547  | 544  | 620  | 8,00  |
| 300-224-224 | 300 | 220 | 220 | 575  | 584  | 580  | 7,70  |
| 300-250-140 | 300 | 250 | 136 | 475  | 493  | 390  | 4,90  |
| 300-250-150 | 300 | 250 | 150 | 476  | 495  | 410  | 5,30  |
| 300-250-175 | 300 | 250 | 175 | 496  | 505  | 450  | 5,90  |
| 300-250-200 | 300 | 250 | 200 | 546  | 563  | 530  | 7,10  |
| 300-250-250 | 300 | 250 | 250 | 587  | 580  | 620  | 8,70  |
| 300-300-80  | 300 | 300 | 77  | 417  | 448  | 255  | 3,30  |
| 300-300-100 | 300 | 300 | 100 | 435  | 459  | 300  | 4,10  |
| 300-300-300 | 300 | 300 | 300 | 640  | 640  | 720  | 11,25 |
| 350-250-250 | 350 | 250 | 250 | 627  | 627  | 620  | 9,60  |
| 350-300-150 | 350 | 300 | 150 | 524  | 546  | 410  | 6,10  |
| 350-300-200 | 350 | 300 | 200 | 590  | 613  | 530  | 7,90  |
| 350-300-224 | 350 | 300 | 220 | 619  | 636  | 580  | 8,90  |
| 350-300-250 | 350 | 300 | 250 | 630  | 630  | 620  | 9,90  |
| 350-350-350 | 350 | 350 | 350 | 728  | 717  | 820  | 14,40 |
| 400-300-250 | 399 | 300 | 250 | 670  | 677  | 620  | 10,40 |
| 400-300-300 | 399 | 300 | 300 | 721  | 724  | 720  | 12,40 |
| 400-350-175 | 399 | 350 | 175 | 583  | 609  | 450  | 7,40  |
| 400-350-224 | 399 | 350 | 220 | 663  | 686  | 580  | 10,20 |
| 400-400-400 | 399 | 399 | 399 | 826  | 825  | 925  | 18,65 |
| 450-350-300 | 449 | 350 | 300 | 764  | 774  | 720  | 14,80 |
| 450-350-350 | 449 | 350 | 350 | 809  | 811  | 820  | 17,50 |
| 450-400-200 | 449 | 399 | 200 | 676  | 713  | 530  | 10,70 |
| 450-400-250 | 449 | 399 | 250 | 716  | 730  | 620  | 12,80 |
| 450-450-450 | 449 | 449 | 449 | 945  | 930  | 1050 | 23,60 |
| 500-400-350 | 499 | 399 | 350 | 853  | 861  | 820  | 18,20 |
| 500-400-400 | 499 | 399 | 399 | 909  | 914  | 925  | 22,70 |
| 500-450-224 | 499 | 449 | 220 | 749  | 786  | 580  | 13,00 |
| 500-450-300 | 499 | 449 | 300 | 810  | 827  | 720  | 17,00 |
| 500-500-500 | 499 | 499 | 499 | 1038 | 1027 | 1150 | 28,80 |

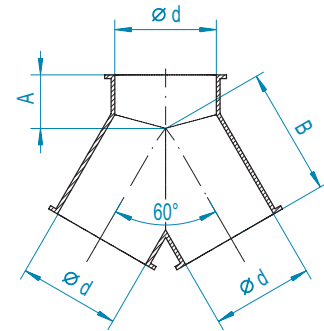
geprüft bis 3 bar explosionsdruckstoßfest  
tested up to 3 bar shock explosion proof  
résistance à la surpression jusqu'à 3 bar vérifiée

| DN          | 1,5 mm pulverbeschichtet<br>1.5 mm powder-coated<br>1,5 mm thermolaquage | 2 mm pulverbeschichtet<br>2 mm powder-coated<br>2 mm thermolaquage | 3 mm pulverbeschichtet<br>3 mm powder-coated<br>3 mm thermolaquage | 1,5 mm verzinkt<br>1.5 mm galvanized<br>1,5 mm galvanisé | 1 mm Chromnickelstahl<br>1 mm stainless steel<br>1 mm acier inoxydable | 2 mm Chromnickelstahl<br>2 mm stainless steel<br>2 mm acier inoxydable |
|-------------|--|--|--|--|--|--|
| DN          | Nr.  | Nr.  | Nr.  | Nr.  | Nr.  | Nr.  |
| 200-140-140 | 11201285   | -  | -  | -  | 11202285   | 11203285   |
| 200-150-120 | 11201286   | -  | -  | -  | 11202286   | 11203286   |
| 200-150-150 | 11201255   | -  | -  | -  | 11202255   | 11203255   |
| 200-175-100 | 11201258   | -  | -  | -  | 11202258   | 11203258   |
| 200-175-120 | 11201257   | -  | -  | -  | 11202257   | 11203257   |
| 200-175-150 | 11201256   | -  | -  | -  | 11202256   | 11203256   |
| 200-200-80  | 11201253   | -  | -  | -  | 11202253   | 11203253   |
| 200-200-100 | 11201254   | -  | -  | -  | 11202254   | 11203254   |
| 200-200-200 | 11201230   | 12201230   | 13201230   | 11202230   | 11203230   | 12203230   |
| 224-150-150 | 11221255   | -  | -  | -  | 11222255   | 11223255   |
| 224-175-140 | 11221256   | -  | -  | -  | 11222256   | 11223256   |
| 224-200-100 | 11221258   | -  | -  | -  | 11222258   | 11223258   |
| 224-200-120 | 11221257   | -  | -  | -  | 11222257   | 11223257   |
| 224-224-224 | 11221230   | -  | -  | -  | 11222230   | 11223230   |
| 250-200-150 | 11251286   | -  | -  | -  | 11252286   | 11253286   |
| 250-200-175 | 11251256   | -  | -  | -  | 11252256   | 11253256   |
| 250-200-200 | 11251255   | -  | -  | -  | 11252255   | 11253255   |
| 250-224-120 | 11251288   | -  | -  | -  | 11252288   | 11253288   |
| 250-224-140 | 11251287   | -  | -  | -  | 11252287   | 11253287   |
| 250-250-80  | 11251253   | -  | -  | -  | 11252253   | 11253253   |
| 250-250-100 | 11251254   | -  | -  | -  | 11252254   | 11253254   |
| 250-250-250 | 11251230   | 12251230   | 13251230   | 11252230   | 11253230   | 12253230   |
| 300-224-224 | 11301285   | -  | -  | -  | 11302285   | 11303285   |
| 300-250-140 | 11301288   | -  | -  | -  | 11302288   | 11303288   |
| 300-250-150 | 11301258   | -  | -  | -  | 11302258   | 11303258   |
| 300-250-175 | 11301257   | -  | -  | -  | 11302257   | 11303257   |
| 300-250-200 | 11301256   | -  | -  | -  | 11302256   | 11303256   |
| 300-250-250 | 11301255   | -  | -  | -  | 11302255   | 11303255   |
| 300-300-80  | 11301253   | -  | -  | -  | 11302253   | 11303253   |
| 300-300-100 | 11301254   | -  | -  | -  | 11302254   | 11303254   |
| 300-300-300 | 11301230   | 12301230   | 13301230   | 11302230   | 11303230   | 12303230   |
| 350-250-250 | 11351255   | -  | -  | -  | 11352255   | 11353255 *   |
| 350-300-150 | 11351288   | -  | -  | -  | 11352288   | 11353288   |
| 350-300-200 | 11351257   | -  | -  | -  | 11352257   | 11353257 *   |
| 350-300-224 | 11351286   | -  | -  | -  | 11352286   | 11353286 *   |
| 350-300-250 | 11351256   | -  | -  | -  | 11352256   | 11353256 *   |
| 350-350-350 | 11351230   | 12351230   | 13351230   | 11352230   | 11353230 *   | 12353230   |
| 400-300-250 | 11401256   | -  | -  | -  | 11402256   | 11403256 *   |
| 400-300-300 | 11401255   | -  | -  | -  | 11402255   | 11403255 *   |
| 400-350-175 | 11401288   | -  | -  | -  | 11402288   | 11403288   |
| 400-350-224 | 11401287   | -  | -  | -  | 11402287   | 11403287 *   |
| 400-400-400 | 11401230   | 12401230   | 13401230   | 11402230   | 11403230 *   | 12403230   |
| 450-350-300 | 11451256   | -  | -  | -  | 11452256   | 11453256 *   |
| 450-350-350 | 11451255   | -  | -  | -  | 11452255   | 11453255 *   |
| 450-400-200 | 11451258   | -  | -  | -  | 11452258   | 11453258 *   |
| 450-400-250 | 11451257   | -  | -  | -  | 11452257   | 11453257 *   |
| 450-450-450 | 11451230   | 12451230   | 13451230   | 11452230   | 11453230 *   | 12453230   |
| 500-400-350 | 11501256   | -  | -  | -  | 11502256   | 11503256 *   |
| 500-400-400 | 11501255   | -  | -  | -  | 11502255   | 11503255 *   |
| 500-450-224 | 11501288   | -  | -  | -  | 11502288   | 11503288 *   |
| 500-450-300 | 11501257   | -  | -  | -  | 11502257   | 11503257 *   |
| 500-500-500 | 11501230   | 12501230   | 13501230   | 11502230   | 11503230 *   | 12503230   |

\* 1,5 mm

1080

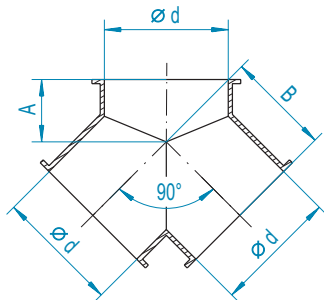
**Hosenrohre 60°**  
**Symmetrical forks 60°**  
**Culottes symétriques 60°**



Abmessungen für 1,5 mm Rohrteile  
 Dimensions for 1.5 mm piping  
 Dimensions pour tuyauterie en épaisseur 1,5 mm

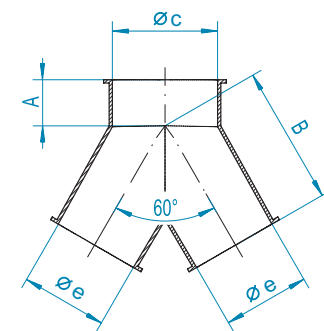
| DN      | Ø d | A   | B   | C   | E | F | L | kg   |
|---------|-----|-----|-----|-----|---|---|---|------|
| 60°     | 60  | -   | -   | -   | - | - | - | -    |
| 2 x 30° | 80  | 77  | 40  | 120 | - | - | - | 0,80 |
|         | 100 | 100 | 50  | 120 | - | - | - | 1,00 |
|         | 120 | 120 | 50  | 150 | - | - | - | 1,50 |
|         | 140 | 136 | 70  | 165 | - | - | - | 2,00 |
|         | 150 | 150 | 75  | 175 | - | - | - | 2,20 |
|         | 175 | 175 | 80  | 210 | - | - | - | 3,10 |
|         | 200 | 200 | 90  | 240 | - | - | - | 4,00 |
|         | 224 | 220 | 90  | 275 | - | - | - | 5,00 |
|         | 250 | 250 | 100 | 300 | - | - | - | 6,20 |
|         | 280 | 277 | 100 | 320 | - | - | - | 7,60 |
|         | 300 | 300 | 120 | 360 | - | - | - | 8,90 |
|         | 315 | 312 | 150 | 350 | - | - | - | 9,30 |

**Hosenrohre 90°**  
**Symmetrical forks 90°**  
**Culottes symétriques 90°**



| DN      | Ø d | A   | B   | C   | E | F | L | kg    |
|---------|-----|-----|-----|-----|---|---|---|-------|
| 90°     | 60  | -   | -   | -   | - | - | - | -     |
| 2 x 45° | 80  | 77  | 40  | 80  | - | - | - | 0,55  |
|         | 100 | 100 | 60  | 100 | - | - | - | 0,85  |
|         | 120 | 120 | 75  | 110 | - | - | - | 1,10  |
|         | 140 | 136 | 75  | 120 | - | - | - | 1,30  |
|         | 150 | 150 | 75  | 125 | - | - | - | 1,45  |
|         | 175 | 175 | 75  | 140 | - | - | - | 1,75  |
|         | 200 | 200 | 90  | 170 | - | - | - | 2,50  |
|         | 224 | 220 | 100 | 190 | - | - | - | 3,00  |
|         | 250 | 250 | 100 | 200 | - | - | - | 3,50  |
|         | 280 | 277 | 100 | 220 | - | - | - | 4,10  |
|         | 300 | 300 | 120 | 220 | - | - | - | 4,40  |
|         | 315 | 312 | 150 | 230 | - | - | - | 5,20  |
|         | 350 | 350 | 120 | 250 | - | - | - | 5,65  |
|         | 400 | 399 | 150 | 270 | - | - | - | 7,00  |
|         | 450 | 449 | 150 | 300 | - | - | - | 8,45  |
|         | 500 | 499 | 175 | 325 | - | - | - | 10,20 |

**Konische Hosenrohre 60°**  
**Conical symmetrical forks 60°**  
**Culottes symétriques 60°**



| DN      | Ø c         | A  | B   | C   | E   | F | L | kg    |
|---------|-------------|----|-----|-----|-----|---|---|-------|
| 60°     | 100-80-80   | 40 | 130 | 100 | 77  | - | - | 0,85  |
| 2 x 30° | 120-100-100 | 50 | 150 | 120 | 100 | - | - | 1,25  |
|         | 140-100-100 | 50 | 150 | 136 | 100 | - | - | 1,25  |
|         | 150-100-100 | 50 | 170 | 150 | 100 | - | - | 1,40  |
|         | 150-120-120 | 50 | 170 | 150 | 120 | - | - | 1,65  |
|         | 175-120-120 | 50 | 200 | 175 | 120 | - | - | 2,00  |
|         | 200-140-140 | 60 | 200 | 200 | 136 | - | - | 2,35  |
|         | 200-150-150 | 60 | 200 | 200 | 150 | - | - | 2,50  |
|         | 224-150-150 | 60 | 220 | 220 | 150 | - | - | 2,65  |
|         | 250-200-200 | 60 | 250 | 250 | 200 | - | - | 3,50  |
|         | 300-224-224 | 70 | 300 | 300 | 220 | - | - | 4,80  |
|         | 350-250-250 | 70 | 300 | 350 | 250 | - | - | 5,30  |
|         | 400-300-300 | 70 | 350 | 399 | 300 | - | - | 6,20  |
|         | 450-350-350 | 80 | 400 | 449 | 350 | - | - | 9,20  |
|         | 500-400-400 | 80 | 450 | 499 | 399 | - | - | 11,40 |

Durchmesser C + E = lichte Weite bei 1,5 mm Wandstärke  
 Diameter C + E = clear width at a wall thickness of 1.5 mm  
 Diamètre C + E = largeur intérieure en cas d'épaisseur de 1,5 mm

| DN  | 1,5 mm pulverbeschichtet<br>1.5 mm powder-coated<br>1,5 mm thermolaquage | 3 mm pulverbeschichtet<br>3 mm powder-coated<br>3 mm thermolaquage | 1,5 mm verzinkt<br>1.5 mm galvanized<br>1,5 mm galvanisé | 1 mm Chromnickelstahl<br>1 mm stainless steel<br>1 mm acier inoxydable | 1,5 mm Chromnickelstahl<br>1.5 mm stainless steel<br>1,5 mm acier inoxydable | 2 mm Chromnickelstahl<br>2 mm stainless steel<br>2 mm acier inoxydable |
|-----|--|--|--|--|--|--|
| DN  | Nr.  | Nr.  | Nr.  | Nr.  | Nr.  | Nr.  |
| 60  | -  | -  | -  | -  | -  | -  |
| 80  | 11081270   | -  | 11082270   | 11083270   | -  | -  |
| 100 | 11101270   | -  | 11102270   | 11103270   | -  | 12103270   |
| 120 | 11121270   | -  | 11122270   | 11123270   | -  | 12123270   |
| 140 | 11141270   | -  | 11142270   | 11143270   | -  | 12143270   |
| 150 | 11151270   | -  | 11152270   | 11153270   | -  | 12153270   |
| 175 | 11171270   | -  | 11172270   | 11173270   | -  | 12173270   |
| 200 | 11201270   | -  | 11202270   | 11203270   | -  | 12203270   |
| 224 | 11221270   | -  | 11222270   | 11223270   | -  | 12223270   |
| 250 | 11251270   | -  | 11252270   | 11253270   | -  | 12253270   |
| 280 | -  | -  | -  | -  | -  | -  |
| 300 | 11301270   | -  | 11302270   | 11303270   | -  | 12303270   |
| 315 | -  | -  | -  | -  | -  | -  |

| DN  | 1,5 mm pulverbeschichtet<br>1.5 mm powder-coated<br>1,5 mm thermolaquage | 3 mm pulverbeschichtet<br>3 mm powder-coated<br>3 mm thermolaquage | 1,5 mm verzinkt<br>1.5 mm galvanized<br>1,5 mm galvanisé | 1 mm Chromnickelstahl<br>1 mm stainless steel<br>1 mm acier inoxydable | 1,5 mm Chromnickelstahl<br>1.5 mm stainless steel<br>1,5 mm acier inoxydable | 2 mm Chromnickelstahl<br>2 mm stainless steel<br>2 mm acier inoxydable |
|-----|--|--|--|--|--|--|
| DN  | Nr.  | Nr.  | Nr.  | Nr.  | Nr.  | Nr.  |
| 60  | -  | -  | -  | -  | -  | -  |
| 80  | 11081260   | -  | 11082260   | 11083260   | -  | -  |
| 100 | 11101260   | -  | 11102260   | 11103260   | -  | 12103260   |
| 120 | 11121260   | 13121260   | 11122260   | 11123260   | -  | 12123260   |
| 140 | 11141260   | -  | 11142260   | 11143260   | -  | 12143260   |
| 150 | 11151260   | 13151260   | 11152260   | 11153260   | -  | 12153260   |
| 175 | 11171260   | 13171260   | 11172260   | 11173260   | -  | 12173260   |
| 200 | 11201260   | 13201260   | 11202260   | 11203260   | -  | 12203260   |
| 224 | 11221260   | -  | 11222260   | 11223260   | -  | 12223260   |
| 250 | 11251260   | 13251260   | 11252260   | 11253260   | -  | 12253260   |
| 280 | -  | -  | -  | -  | -  | -  |
| 300 | 11301260   | 13301260   | 11302260   | 11303260   | -  | 12303260   |
| 315 | -  | -  | -  | -  | -  | -  |
| 350 | 11351260   | -  | 11352260   | -  | 11353260   | 12353260   |
| 400 | 11401260   | -  | 11402260   | -  | 11403260   | 12403260   |
| 450 | 11451260   | -  | 11452260   | -  | 11453260   | 12453260   |
| 500 | 11501260   | -  | 11502260   | -  | 11503260   | 12503260   |

| DN          | 1,5 mm pulverbeschichtet<br>1.5 mm powder-coated<br>1,5 mm thermolaquage | 3 mm pulverbeschichtet<br>3 mm powder-coated<br>3 mm thermolaquage | 1,5 mm verzinkt<br>1.5 mm galvanized<br>1,5 mm galvanisé | 1 mm Chromnickelstahl<br>1 mm stainless steel<br>1 mm acier inoxydable | 1,5 mm Chromnickelstahl<br>1.5 mm stainless steel<br>1,5 mm acier inoxydable | 2 mm Chromnickelstahl<br>2 mm stainless steel<br>2 mm acier inoxydable |
|-------------|--|--|--|--|--|--|
| DN          | Nr.  | Nr.  | Nr.  | Nr.  | Nr.  | Nr.  |
| 100-80-80   | 11101275   | -  | 11102275   | 11103275   | -  | 12103275   |
| 120-100-100 | 11121275   | -  | 11122275   | 11123275   | -  | 12123275   |
| 140-100-100 | 11141275   | -  | 11142275   | 11143275   | -  | 12143275   |
| 150-100-100 | 11151276   | -  | 11152276   | 11153276   | -  | 12153276   |
| 150-120-120 | 11151275   | -  | 11152275   | 11153275   | -  | 12153275   |
| 175-120-120 | 11171276   | -  | 11172276   | 11173276   | -  | 12173276   |
| 200-140-140 | 11201276   | -  | 11202276   | 11203276   | -  | 12203276   |
| 200-150-150 | 11201275   | -  | 11202275   | 11203275   | -  | 12203275   |
| 224-150-150 | 11221275   | -  | 11222275   | 11223275   | -  | 12223275   |
| 250-200-200 | 11251275   | -  | 11252275   | 11253275   | -  | 12253275   |
| 300-224-224 | 11301276   | -  | 11302276   | 11303276   | -  | 12303276   |
| 350-250-250 | 11351275   | -  | 11352275   | -  | 11353275   | 12353275   |
| 400-300-300 | 11401275   | -  | 11402275   | -  | 11403275   | 12403275   |
| 450-350-350 | 11451275   | -  | 11452275   | -  | 11453275   | 12453275   |
| 500-400-400 | 11501275   | -  | 11502275   | -  | 11503275   | 12503275   |

geprüft bis 3 bar explosionsdruckstofffest  
 tested up to 3 bar shock explosion proof  
 résistance à la surpression jusqu'à 3 bar vérifiée