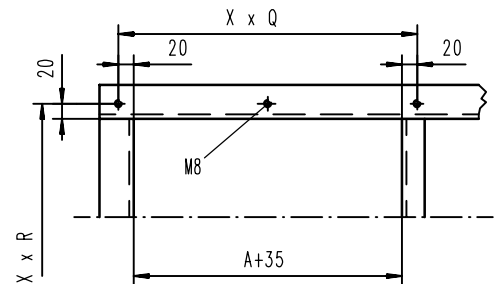
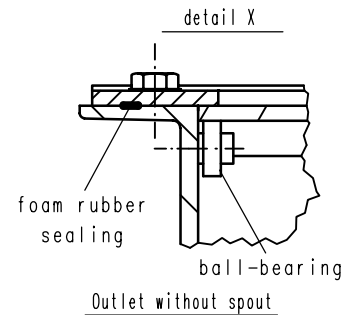
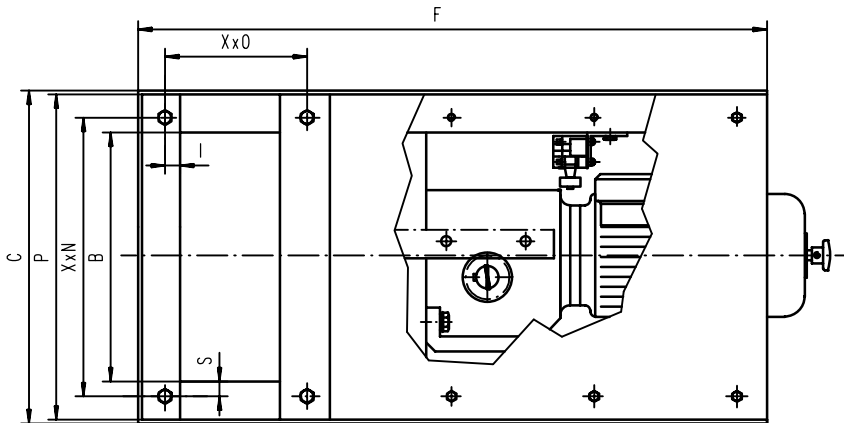
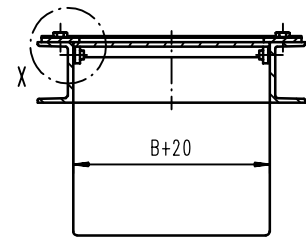


drawing shows cut A-B without spout



Safety advice DIN 34

Mounting-position

To be mounted only as shown on drawing.

Please request if other positions are required.

C=50 mm at Silo-outlet-gate
C=40 mm at Redler-outlet-gate

Areas of use

For all dry products, where shut-off devices under silos and trough-chain conveyors are to be installed. Slide gate is not suited for pressure-conveyance.

* with spout

** without spout

	Outlet-gate			Redler-outlet-gate (cross-slide)		
Article-No. *	57622005	57622505		57122005	57122505	57123005
Article-No.**	57601505	57602005	57602505	57102005	57102505	57103005
NW	150	200	250	200	250	300
∅D I.W.	149	199	249	199	249	299
A	200	250	300	200	250	300
B	200	250	300	600	600	600
F	932	1082	1232	845	995	1145
E	71	71	71	86	86	86
C	304	354	404	710	710	710
I	25	25	25	23	23	23
S	25	25	25	30	30	30
XxO	2x125	2x150	3x116,6	1x246	1x296	1x346
XxN	2x125	2x150	3x116,6	6x110	6x110	6x110
P	300	350	400	680	680	680
L	150	150	150	360	320	270
H	478	578	678	472	572	672
XxR	2x130	3x103,3	3x120	6x110	6x110	6x110
XxQ	2x137,5	3x108,3	3x125	2x137,5	3x108,3	3x125

Gearmotor make Bauer Typ BS06-81/D06LA4-ZW

Limit switch make Bernstein type I-SU 1Z AH; max. 500 V

Denomination

Outlet-gate, electr. operated

Date 24.03.2003

Drawing-No. 576...05 Index 2