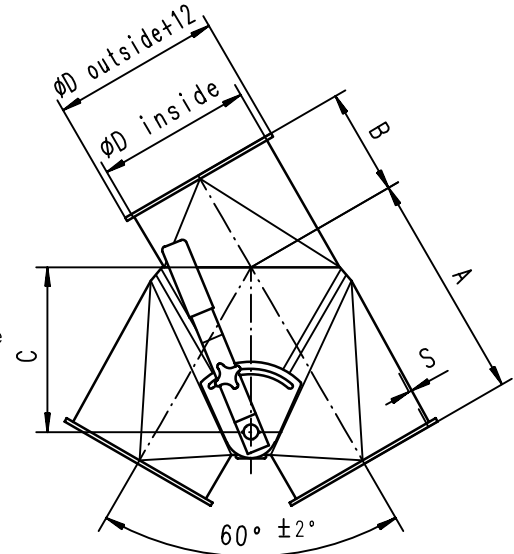
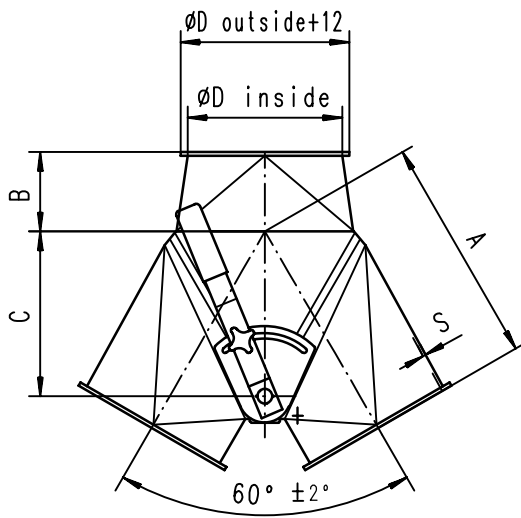


Symmetrical version

Asymmetrical version



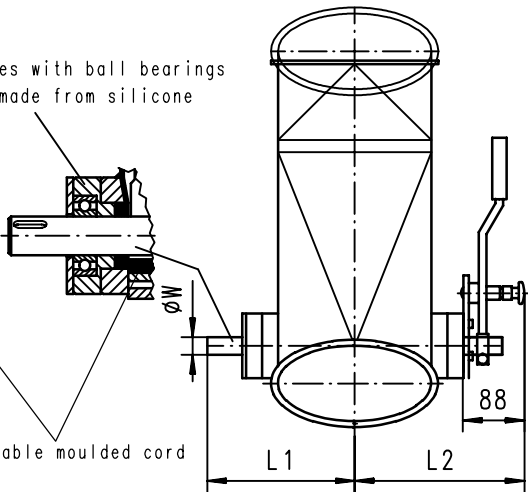
Safety advice DIN 34

Shaft at both sides with ball bearings and ring-seal made from silicone



Opening for dismantling of inner flap

Adjustable moulded cord



Installing position :

For bulk-goods in respect of the flow characteristics of transported goods in ventilation systems to be chosen free.

Areas of use :

For dust-tight conveying of bulk-goods by gravity and vacuum-conveying in ventilation systems-up to pressure-difference of approx. 10000 Pa.

Please request for special applications.

Article-number for painted type.

ø Pipe		100	120	150	200	250	300
symmetrical version	Article-no.	12101508	12121508	12151508	12201508	12251508	12301508
	A	220	240	250	300	370	435
	B	65	70	75	105	130	150
	C	128	145	168	218	277	326
asymmetrical version	Article-no.	12101509	12121509	12151509	12201509	12251509	12301509
	A	220	240	250	300	370	435
	B	100	110	115	140	170	200
	C	128	145	168	218	277	326
	F	320	350	365	440	540	635
øD inside		99	119	149	199	249	299
s		2	2	2	2	2	2
øW		20	20	20	20	30	30
L1		117	127	142	164	205	230
L2		170	190	195	220	248	273
weight in kg							

Denomination

2-way-distributor 60° ø100-ø300,
manually operated

Date

21.01.2005

Drawing-No.

7/180

Index

2