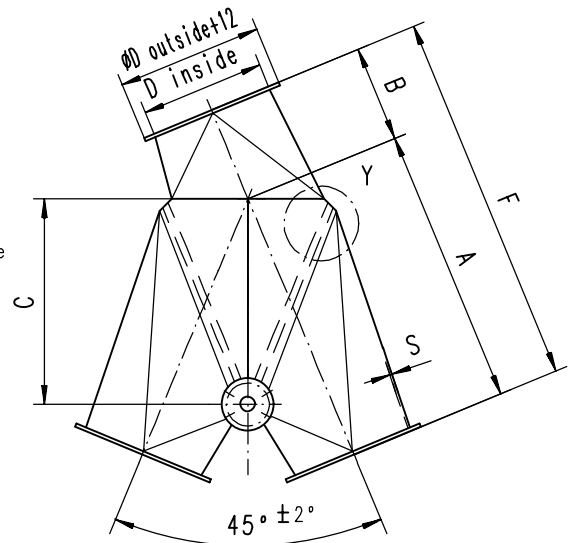
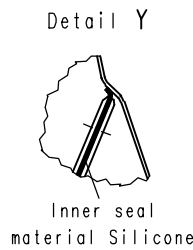
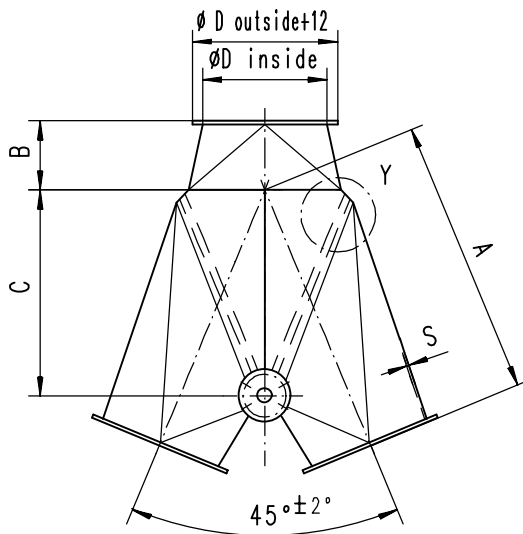
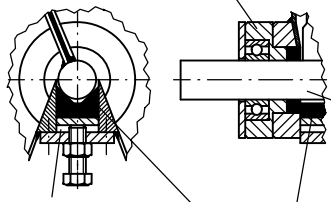


Symmetrical - type

Asymmetrical - type

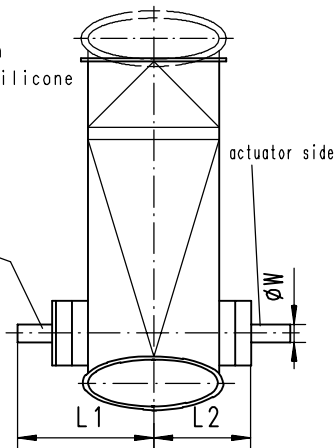


shaft-fitted at both ends with ball-bearing and ringseal material Silicone



Opening for dismantling of inner flap

Adjustable moulded cord material Silicone



Installing positions:

For bulk-goods in respect of the flow characteristics of transported goods in ventilation systems to be chosen free. When using asymmetrical version, consider 'Right'- or 'Left'- type.

Ranges of application:

For dust-tight conveying of bulk-goods by gravity and vacuum-conveying in ventilation-systems-up to pressure-difference of approx. 0,1 bar.

Please request for special applications.

Operating devices:

See dimension-sheet no. 11/591/A.

The fitting of the actuator can be done at both sides of the 2-way-distributor.

Standardwise the fitting will be done according dimension-sheet no. 11/591/A.

Safety advice DIN 34

Order-no. for painted type

Pipe $\varnothing$	100	120	150	175	200	250	300	
Symmetrical type	Order-no.	59221001	59921201	59221501	59221701	59222001	59222501	59223001
	A	260	280	315	350	400	480	570
	B	65	70	75	90	105	130	160
	C	165	185	221	255	289	356	426
Asymmetrical type	Order-no.	55911001	59121201	59121501	59121701	59122001	59122501	59123001
	A	260	280	315	350	400	480	570
	B	100	110	115	125	140	170	210
	C	165	185	221	255	289	356	426
F	360	390	430	475	540	650	780	
$\varnothing D$ inside	99	119	149	174	199	249	299	
s	2	2	2	2	2	2	2	
$\varnothing W$	20	20	20	20	20	30	30	
L1	117	127	135	151	160	188	213	
L2	82	92	105	119	130	158	183	
weight in kg								

In case of placing your order please state the desired signal-current and the make of the pneumatics. Please take in this connection the following code-system into consideration. The 2-digit number has to be added to our 8-digit order-no. code. Electrically operated two-way-valves on request.

Make	Signal-current	Make	Signal-current
.....11	Mannesmann/Rexroth 230V, AC	.....34	BAR rotary actuator 230V, AC
.....13	Mannesmann/Rexroth 24V, DC	.....35	BAR rotary actuator 24V, DC
.....21	FESTO 230V, AC	.....64	AUTOMAX rotary actuator 230V, AC
.....23	FESTO 24V, DC	.....65	AUTOMAX rotary actuator 24V, DC

Denomination

**2-way-distributor 45°  $\varnothing$ 100- $\varnothing$ 300**  
without actuator

Date	31.10.2003	
Drawing-No.	11/591	Index 5