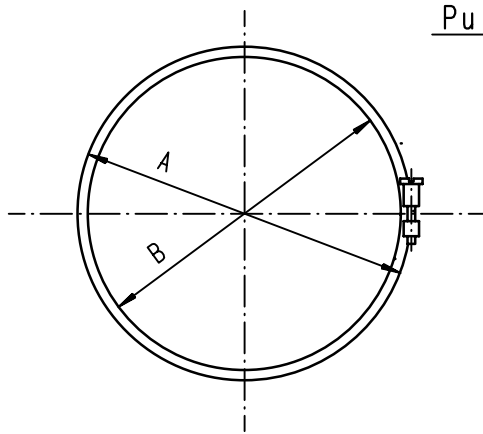


Pull ring 1-parted for 1mm piping



pull ring profile



sealant

characteristics :

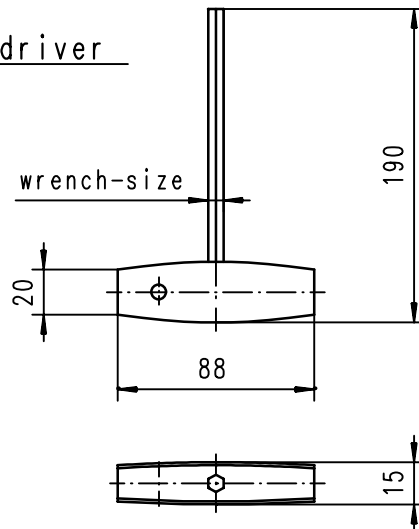
heat-resistant up to 80°C

Article-number for galvanized type

Pipe ϕ	80	100	120	140	150	175	200
Article-no.	11082371	11102371	11122371		11152371	11172371	11202371
A	97	119	139		169	194	219
B	80	102	122		152	177	202
weight in kg	0.04	0.05	0.06		0.07	0.08	0.09
Pipe ϕ	224	250	300				
Article-no.		11252371					
A		270					
B		252					
weight in kg		0.19					

Safety advice DIN 34

Hexagon cap screw-driver



		x=2-parted	y=1-parted
Article-no.	10002361	10002362	10002363
wrench-size	5mm	6mm	8mm
thread	M6	M8	M10
pull ring 1mm piping	$\phi 80 - \phi 630y$		
pull ring 2mm and 3mm piping	$\phi 100 - \phi 250x$	$\phi 300x$	$\phi 350 - \phi 630y$
clamping ring	$\phi 80 - \phi 630$		
pull ring for pressure-tight			

Denomination

Pull ring with screw fitting and sealant
Hexagon cap screw-driver

Date

07/95

Drawing-No.

5/90

Index

1